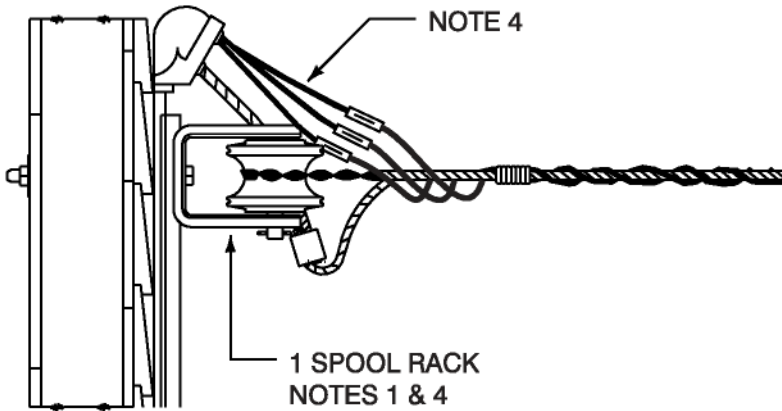
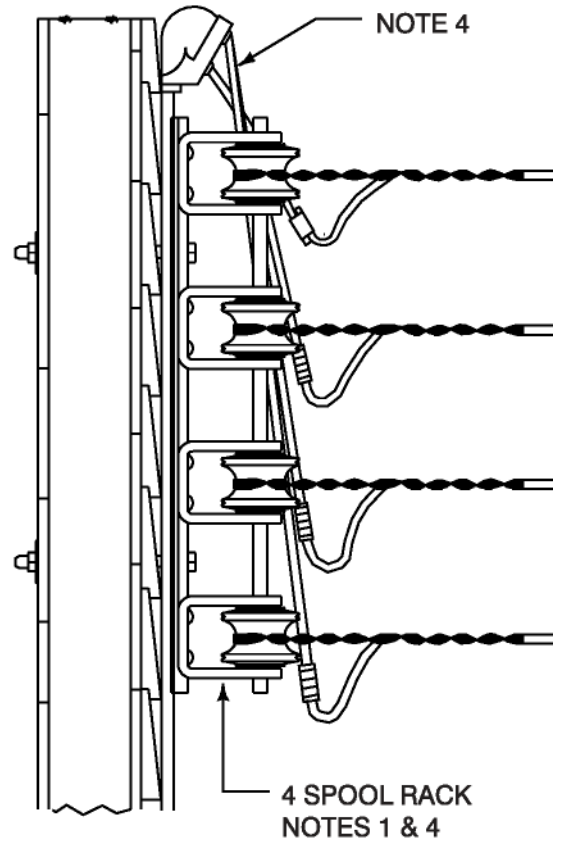


# TYPICAL OVERHEAD SERVICE INSTALLATION BUILDING ATTACHMENT 3-PHASE, 4-WIRE SERVICE

SERVICE DROP  
3/0 ALUMINUM QUADRUPLEX  
OR SMALLER



SERVICE DROP  
336.4 KCMIL ALUMINUM  
OR LARGER



**NOTES:**

1. **CUSTOMER** SHALL FURNISH AND INSTALL 1 SPOOL OR 4 SPOOL RACK (ONE-POINT RACKS MAY BE SUBSTITUTED) ATTACHED ON FRAME BUILDING WITH 1/2" MACHINE BOLT THROUGH STUDDING.
2. CONSULT COMPANY IF RACK IS TO BE MOUNTED ON BRICK, CONCRETE, OR TILE WALL.
3. COMPANY TERMINATES SERVICE DROP ON SPOOL RACK AT A SINGLE POINT TO BE DETERMINED BY COMPANY.
4. **CUSTOMER** SHALL FURNISH AND INSTALL SERVICE ENTRANCE CONDUCTORS - 24" MINIMUM LEAD FROM SERVICE HEAD. IF COMPANY AGREES TO ALLOW **CUSTOMER** TO INSTALL BRACKET(S) ABOVE SERVICE HEAD, FURTHEST BRACKET SHALL BE LOCATED NO MORE THAN 24 INCHES FROM SERVICE HEAD.