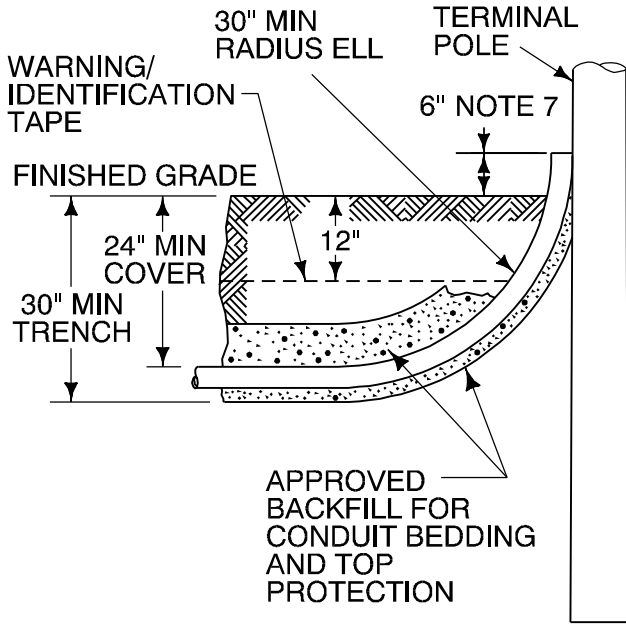
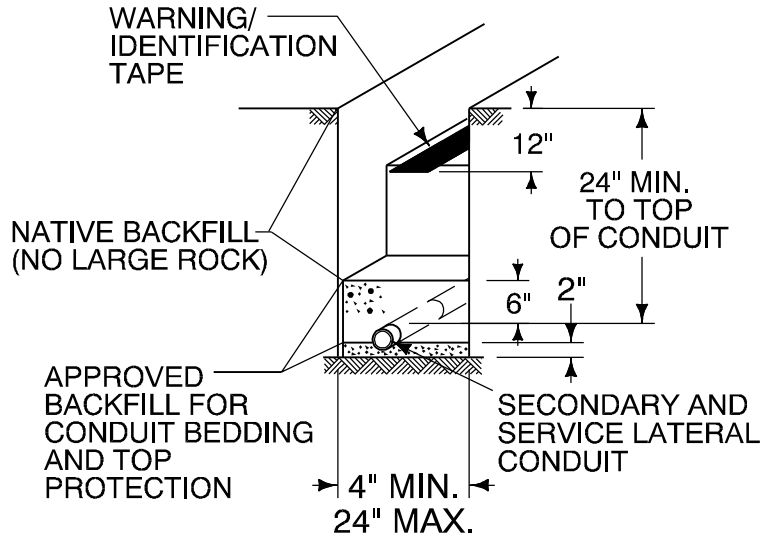


# TYPICAL TRENCHING DETAILS FOR INSTALLATION OF SECONDARY/SERVICE LATERAL AND PRIMARY CONDUIT

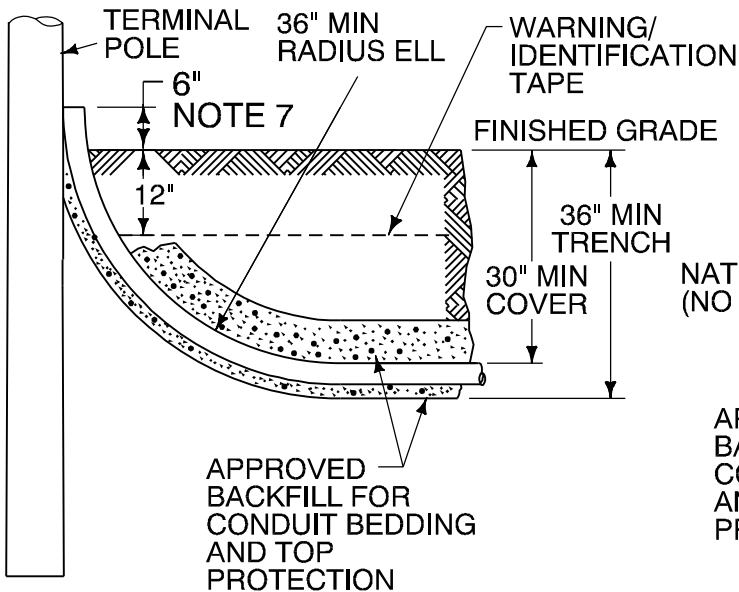
SECONDARY/SERVICE CONDUIT AT POLE



SECONDARY/SERVICE LATERAL TRENCH



PRIMARY CONDUIT AT POLE



PRIMARY TRENCH

