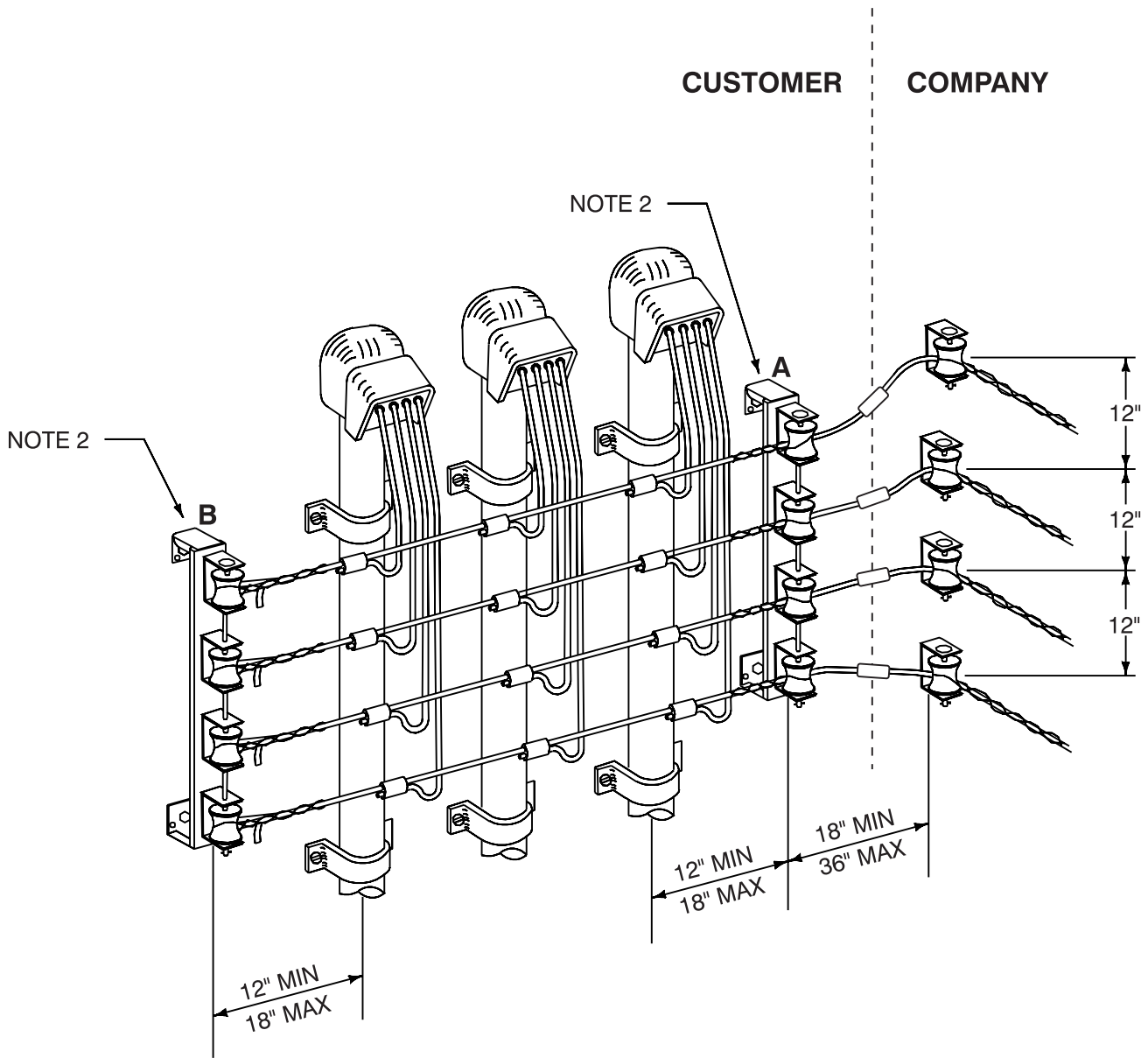


# CONNECTING MULTIPLE SERVICES

CONSULT COMPANY FOR DETAILS BEFORE INSTALLATION.



**NOTES:**

1. COMPANY TERMINATES SERVICE DROP ON ONE-POINT RACKS AT A SINGLE POINT AGREED ON BY **CUSTOMER** AND COMPANY. COMPANY INSTALLS BUS WIRING (A TO B) WHEN SERVICE TO MORE THAN ONE **CUSTOMER** IS REQUIRED.
2. **CUSTOMER** FURNISHES AND INSTALLS MOUNTING BRACKETS AND INSULATORS. INDIVIDUAL ONE-POINT RACKS MAY BE SUBSTITUTED FOR MULTIPLE SPOOL BRACKETS.
3. TYPICAL POLYPHASE INSTALLATION SHOWN ABOVE. THIS METHOD SHALL ALSO BE USED FOR SINGLE-PHASE INSTALLATIONS.