

TEMPORARY OVERHEAD SERVICE SUPPORT

COMPANY WILL FURNISH AND INSTALL SERVICE DROP AND BRACKET AND WILL CONNECT TO SERVICE ENTRANCE.

SEE FIG. 1 FOR GROUND CLEARANCES.

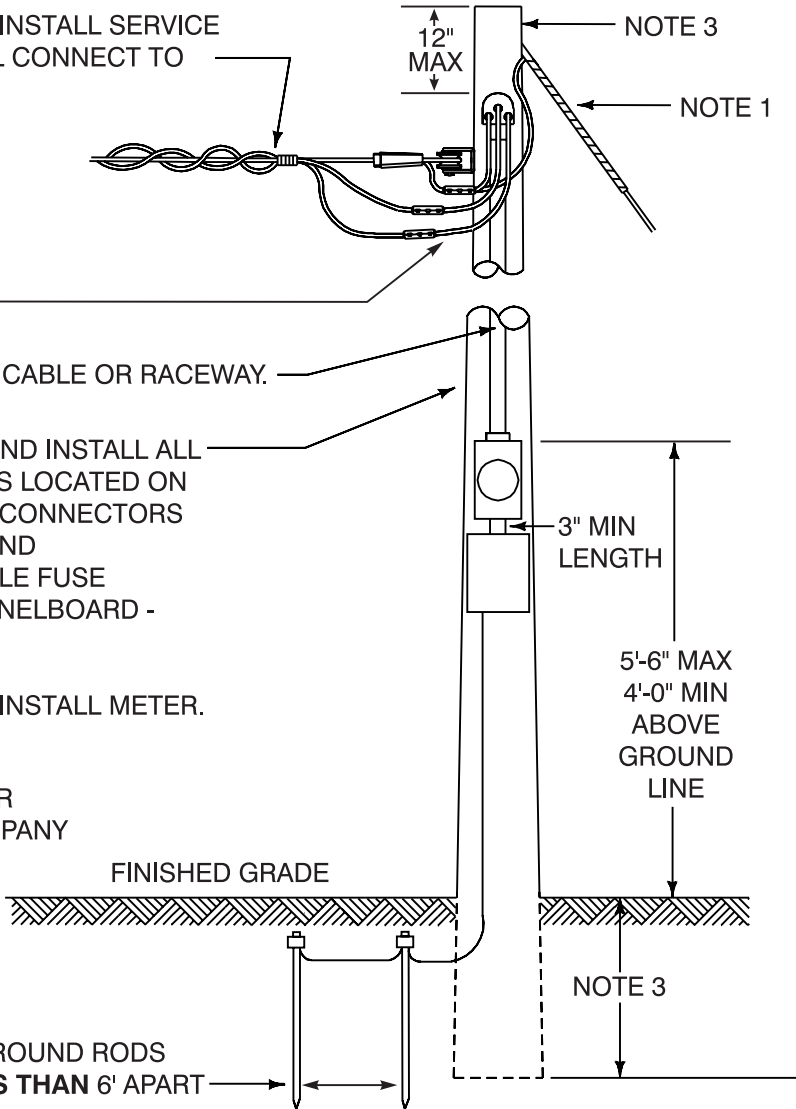
CUSTOMER TO PROVIDE 24" MINIMUM WIRE LEAD FROM SERVICE HEAD.

SERVICE ENTRANCE CABLE OR RACEWAY.

CUSTOMER SHALL FURNISH AND INSTALL ALL SERVICE ENTRANCE FACILITIES LOCATED ON LOAD SIDE OF SERVICE DROP CONNECTORS (INCLUDES METER SOCKET* AND WEATHERPROOF AND SEALABLE FUSE DISCONNECT OR BREAKER PANELBOARD - GFCI PROTECTION PER NEC).

COMPANY WILL FURNISH AND INSTALL METER.

***WEST VIRGINIA ONLY:** METER SOCKETS FURNISHED BY COMPANY



NOTES:

1. **CUSTOMER** SHALL CONSULT WITH COMPANY FOR LOCATION OF TEMPORARY SERVICE POLE. SUCH POLE SHALL BE LOCATED NOT LESS THAN 10' OR MORE THAN 75' FROM COMPANY'S TRANSFORMER SECONDARY, UNLESS OTHERWISE APPROVED BY COMPANY. **CUSTOMER** MAY BE REQUIRED TO FURNISH AND INSTALL PROPER GUYING. COMPANY WILL BOND GUY TO SERVICE NEUTRAL. ALSO, **CUSTOMER** SHALL PAY APPLICABLE CHARGES.
2. ALL **CUSTOMER** WORK SHALL BE COMPLETED AND INSPECTIONS (SEE SECTION 4.06) OBTAINED BEFORE COMPANY WILL PROVIDE SERVICE.
3. SERVICE POLE OR SUPPORT, FURNISHED AND INSTALLED BY **CUSTOMER**. REQUIREMENTS: 18' MINIMUM LENGTH CHEMICAL PRESERVATIVE TREATED POLE OR 18' MINIMUM CONTINUOUS LENGTH 6"X6" CHEMICAL PRESERVATIVE TREATED TIMBER FREE OF UNACCEPTABLE DEFECTS, INSTALLED MINIMUM 4' IN GROUND AND WELL TAMPED.
4. **INHIBITOR COMPOUND** SHALL BE USED ON ALL ALUMINUM WIRE TERMINATIONS.
5. COMPLETE **CUSTOMER** POLE INSTALLATION SUBJECT TO COMPANY APPROVAL PRIOR TO CONNECTION.