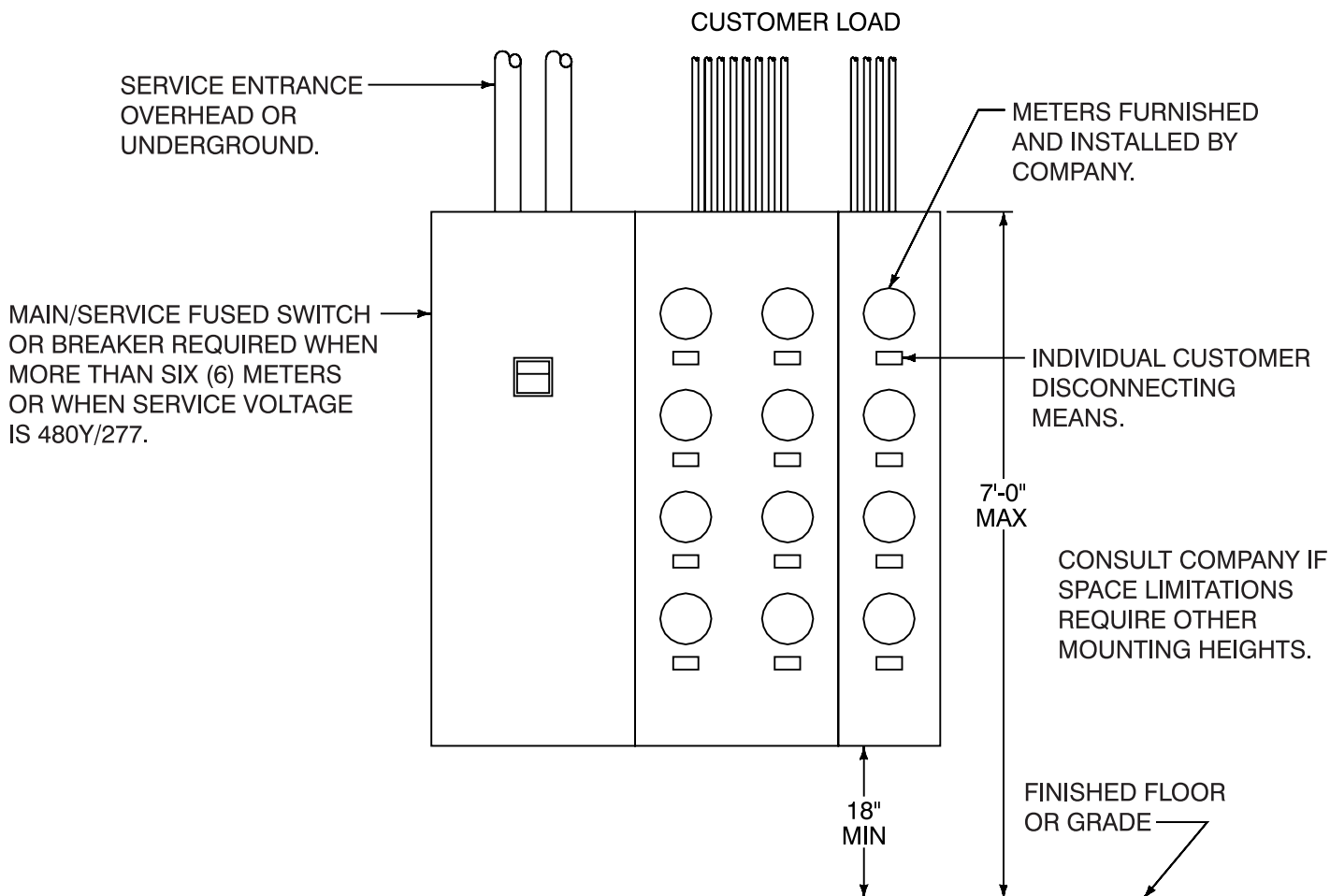


# PRE-ASSEMBLED MULTIPLE METER INSTALLATION

CONSULT COMPANY FOR DETAILS BEFORE INSTALLATION.



**NOTES:**

1. **CUSTOMER** SHALL CONSULT WITH COMPANY FOR POINT OF ATTACHMENT OF SERVICE LATERAL OR DROP, METERING LOCATION, AND PROPOSED SERVICE ENTRANCE FACILITIES PRIOR TO PROCEEDING WITH INSTALLATION.
2. ALL **CUSTOMER** WORK SHALL BE COMPLETED AND INSPECTIONS (SEE SECTION 4.06) OBTAINED BEFORE COMPANY WILL PROVIDE SERVICE.
3. **CUSTOMER** SHALL FURNISH, INSTALL AND CONNECT SEALABLE MULTIPLE METERING EQUIPMENT FOR OVERHEAD SERVICE. **CUSTOMER** SHALL FURNISH AND CONNECT SERVICE ENTRANCE CONDUCTORS. FOR UNDERGROUND SERVICE, COMPANY WILL EXTEND ITS UNDERGROUND CONDUCTORS TO MAIN LUGS IN **CUSTOMER** METER STACK AND MAKE CONNECTIONS.
4. **CUSTOMER** SHALL PERMANENTLY AND **CLEARLY LABEL EACH METER SOCKET** TO SHOW AREAS SERVED.
5. **INHIBITOR COMPOUND** SHALL BE USED ON ALL ALUMINUM WIRE TERMINATIONS.