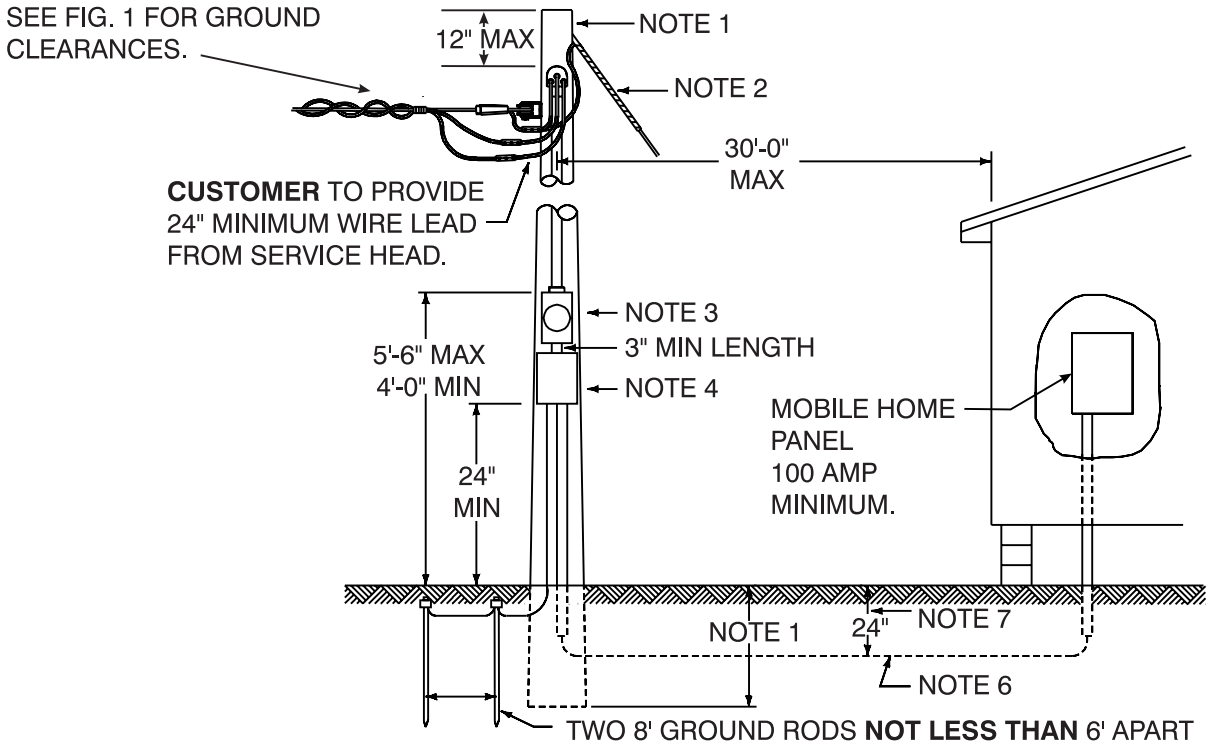


# TYPICAL OVERHEAD SERVICE FOR INDIVIDUALLY LOCATED MOBILE HOMES



**NOTES:**

1. **CUSTOMER** SHALL FURNISH AND INSTALL COMPANY APPROVED POLE. RECOMMENDED SIZE: 25' CLASS 7, CHEMICAL PRESERVATIVE TREATED POLE, INSTALLED MINIMUM 5' IN GROUND AND WELL TAMPED.
2. IF SERVICE DROP EXCEEDS 100' OR PROPER POLE SETTING DEPTH CANNOT BE OBTAINED, **CUSTOMER** SHALL INSTALL PROPER GUYING. COMPANY WILL BOND GUY TO SERVICE NEUTRAL.
3. **CUSTOMER** SHALL FURNISH AND INSTALL ALL SERVICE ENTRANCE FACILITIES LOCATED ON THE LOAD SIDE OF SERVICE DROP CONNECTORS (INCLUDES METER SOCKET AND WEATHERPROOF AND SEALABLE FUSE DISCONNECT OR BREAKER PANELBOARD). COMPANY WILL FURNISH AND INSTALL METER. **WEST VIRGINIA ONLY:** METER SOCKETS FURNISHED BY COMPANY.
4. THE SERVICE ENTRANCE SHALL BE A MINIMUM 100 AMP. WITH MAIN DISCONNECT AND MEANS FOR CONNECTING AN ACCESSORY BUILDING OR ADDITIONAL ELECTRICAL EQUIPMENT LOCATED OUTSIDE MOBILE HOME. SERVICE DISCONNECT SHALL BE LOCATED WITHIN SIGHT OF AND WITHIN 30 FEET OF THE MOBILE HOME.
5. ALL **CUSTOMER** WORK SHALL BE COMPLETED AND INSPECTIONS (SEE SECTION 4.06) OBTAINED BEFORE COMPANY WILL PROVIDE SERVICE.
6. FEEDER: 4-WIRE, USE PERMANENT WIRING IF OVER 50 AMP.
7. BURIAL DEPTH MAY BE REDUCED TO 18" IF FEEDER IS IN CONDUIT.
8. **INHIBITOR COMPOUND** SHALL BE USED ON ALL ALUMINUM WIRE TERMINATIONS.
9. ANTENNAS OR AERIALS SHALL NOT BE ATTACHED TO ANY POLE USED FOR SUPPLYING ELECTRIC SERVICE TO **CUSTOMERS**.